

Solution Benefits

- ATTO ThunderLink and ATTO FastFrame 40Gb and 10Gb Ethernet adapters provide high-performance, flexible and scalable connectivity for high-bandwidth content creation environments
- ATTO Advanced Data Streaming (ADS™) Technology maximizes CPU processes to deliver smooth and reliable data transfers and the highest consistent performance
- Avid NEXIS® family provides a range of shared storage solutions for high-end broadcast and enterprise environments to smaller post production houses
- Allows users to control bandwidth and create collaboration groups
- Support for a range of editing software in addition to Avid Media Composer®, including Adobe® Premiere® Pro CC, Grass Valley EDIUS®, Autodesk® Smoke®, Apple Final Cut Pro® and Blackmagic DaVinci Resolve™

Solution Components

ATTO ThunderLink® Thunderbolt™ to Ethernet Adapters

- TLN3-3102-D00- Thunderbolt 3 to 10GbE
- TLNS-3252-D00- Thunderbolt 3 to 25GbE
- TLNQ-3402-D00 Thunderbolt 3 to 40GbE

ATTO FastFrame™ Ethernet Adapters

- FFRM-N322-DA0-25Gb Network Interface Card
- FFRM-N352-DA0- 25/40/50Gb Network Interface Card
- FFRM-N312-DA0- 25/40/50/100Gb Network Interface Card
- FFRM-NS12-000/ FFRM-NT12-000- 10GbE Network Interface Card

Avid NEXIS / NEXIS | PRO

ATTO Connectivity and Avid NEXIS® Storage High-performance connectivity for desktop and mobile workstations

CHALLENGE

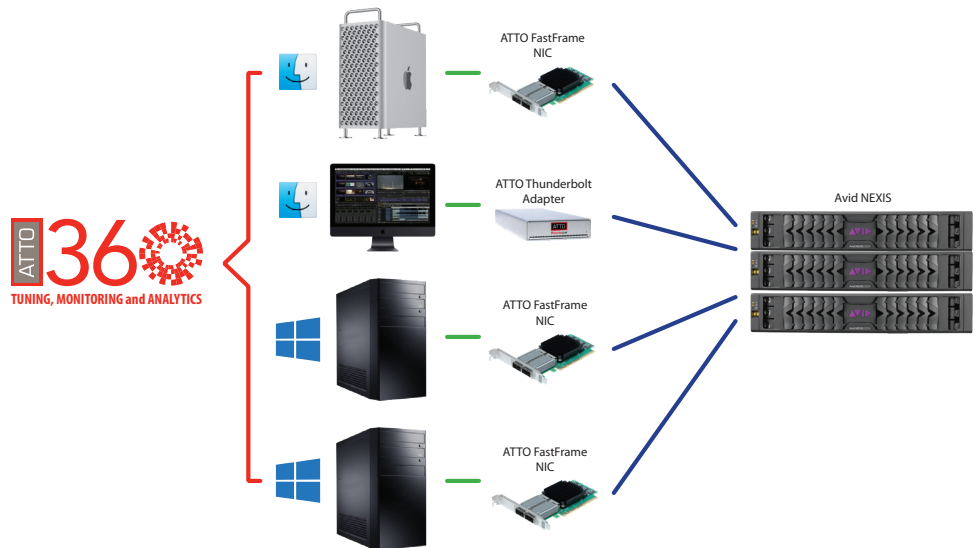
Media post-production environments ranging from high-end broadcast facilities to small, independent studios require storage solutions that allow multiple contributors to collaborate on projects. The higher resolution and frame rate requirements of 4K and Ultra HD formats also call for a low latency 40Gb and 10Gb storage infrastructure that is capable of handling the data-intensive needs of high-bandwidth content creation.

Professional media editing workflows frequently incorporate Apple® desktop and mobile workstations. For the majority of Apple's portfolio, Thunderbolt™ is still the main connectivity option making a Thunderbolt adapter or Thunderbolt enabled expansion chassis a requirement for connecting to high-performance storage.

Traditional workstations, which now includes Apple's Mac Pro, used in editing workflows also require reliable high-performance connectivity from network interface cards (NICs) that are flexible to be used across varied operating systems such as Windows®, macOS® and Linux®.

SOLUTION

ATTO ThunderLink® adapters are purpose-built Ethernet adapters incorporating Thunderbolt connectivity. ATTO ThunderLink adapters convert the Thunderbolt protocol to Ethernet, enabling seamless integration of Thunderbolt-enabled desktop and mobile workstations into Ethernet-connected shared storage systems like Avid NEXIS.



Workgroup configuration with ATTO ThunderLink Thunderbolt adapters and FastFrame NICs connecting both desktop and mobile workstations to Avid NEXIS storage



SOLUTION

ATTO ThunderLink Thunderbolt adapters additionally feature ATTO Advanced Data Streaming (ADS™) Technology, a proprietary latency management technology that provides best-in-industry aggregate bandwidth and predictable data transfers for high-performance, low-latency applications.

ATTO FastFrame™ network interface cards (NICs) let users connect to high-speed Ethernet networks via copper or optical cabling. ATTO FastFrame NICs support a wide variety of operating systems, including certification with Avid NEXIS in Windows, macOS and Linux environments. A low power consumption profile and managed latency enables a high ROI and lower OPEX in terms of data transferred per dollar spent on power, ideal for enterprise and broadcast-level networks. FastFrame NICs also provide the throughput necessary to enable editing of multiple streams of 4K video.

Avid NEXIS high-performance shared storage systems allow for real-time editorial collaboration with performance that accelerates media workflows. The advanced Avid NEXIS file management system enhances collaboration and maximizes production efficiency by enabling editors to work with a host of tools from Adobe®, Apple, Grass Valley, Autodesk and Blackmagic Design. With solutions ranging from entry-level to enterprise, NEXIS shared storage systems provide the power, reliability, and storage capacity required to sustain real-time workflows in the most demanding environments, regardless of workgroup size.

The latest generation of ATTO ThunderLink and FastFrame adapters allow Avid users to control their Ethernet storage network like never before with ATTO 360™ Tuning, Monitoring and Analytics Software. ATTO 360 Software is an all-purpose application for Ethernet storage optimization featuring performance tuning, analytics, and monitoring tools that deliver the best performing and most efficient storage networks. This ultimately allows in optimizations to workflows for best performance, fixing of problems before they happen and monitoring made easy.

ATTO adapters have been certified by Avid for use with its NEXIS family storage arrays. The combined solution benefits both from ATTO's extensive experience in designing products and our 20-plus year partnership with Avid. Whether your production requirements involve workstation connectivity for a small workgroup or dozens of editors collaborating on projects, a combined ATTO Avid solution provides a fully tested and supported, high-performance option that can be scaled to meet the needs of workgroup through enterprise environments.

About ATTO

For over 30 years, ATTO Technology, Inc. has been a global leader across the IT and media & entertainment markets, specializing in network and storage connectivity and infrastructure solutions for the most data-intensive computing environments. ATTO works with partners to deliver end-to-end solutions to better store, manage and deliver data. Working as an extension of customer's design teams, ATTO manufactures host bus adapters, network adapters, protocol bridges, Thunderbolt™ adapters, and software. ATTO solutions provide high level connectivity to all storage interfaces, including Fibre Channel, SAS/SATA, iSCSI, Ethernet, NVMe, NVMe over Fabrics and Thunderbolt. ATTO is the Power Behind the Storage.

All trademarks, trade names, service marks and logos referenced herein belong to their respective companies.

About Avid

Avid is the world's leading provider of audio and video technology for media organizations and independent professionals. Customers use Avid solutions to create, distribute, and monetize the most prestigious and award-winning films, videos, music recordings, TV shows, live concerts, and news broadcasts.

